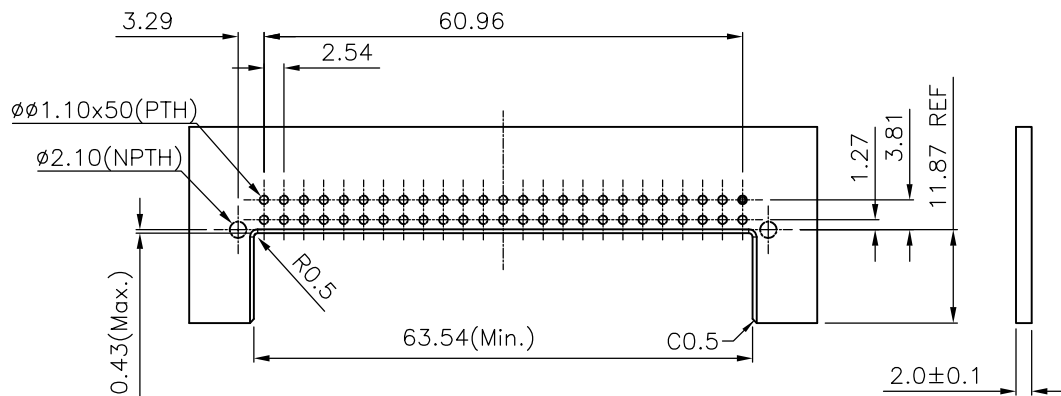
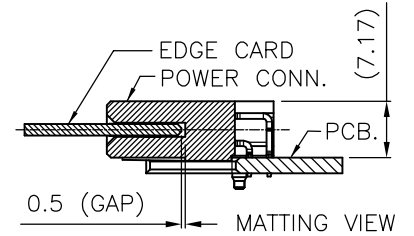
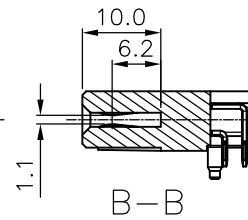
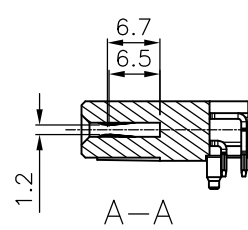
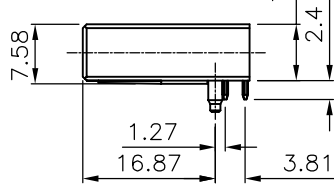
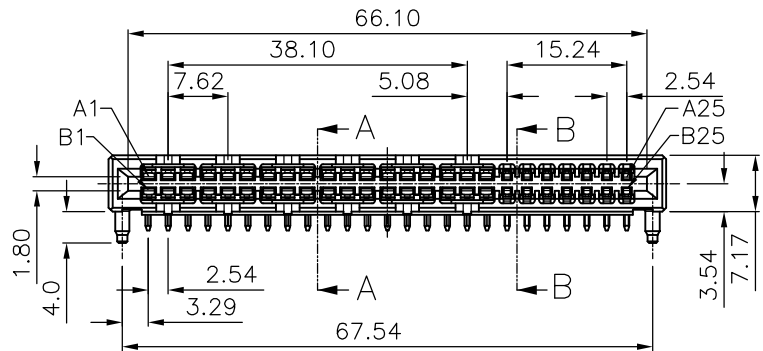


- NOTES:
- MATERIAL:
 - HOUSING: THERMOPLASTIC, HIGH TEMP., UL94V-0; COLOR:BLACK.
 - CONTACT: COPPER ALLOY
 - FINISH:
 - CONTACT:SEE ORDER INFORMATION.
 - UNDERPLATING: 50~100u" NICKEL OVERALL.
 - REFLOW SOLDER CAPABLE TO 260°C PER ACES SPEC.
 - SPEC. PLS. REFER TO PS-52945-xxxx-xxx
 - PACKAGE PLS. REFER TO 52945-xxxCR-U
 - PART NUMBER

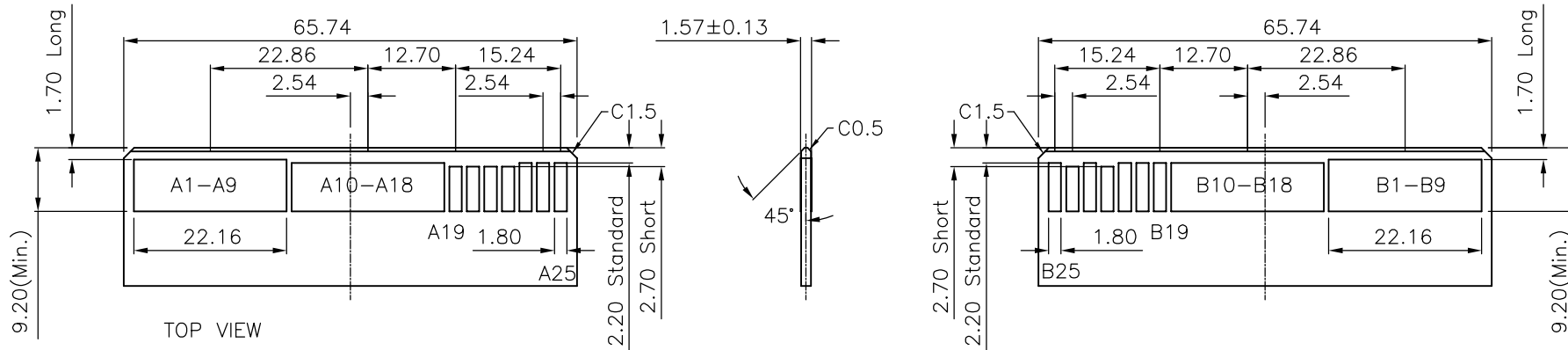
52945-XXX X X -V01

CKTS _____ CONTACT PLATED
 050. 50PIN D.Au 30u" ON CONTACT
 PACKAGE _____
 0.TAPE & REEL



RECOMMEND P.C.B LAYOUT (TOP VIEW)
 THICKNESS IS 2.0±0.1MM, DIMENSION TOLERANCE ±0.05MM

QUALITY SYMBOLS MAJOR Ⓢ CRITICAL Ⓢ GENERAL TOLERANCES (UNLESS SPECIFIED) X. ±0.5 .X ±0.25 .XX ±0.15 .XXX ±0.1 ANGLES ±2°	DRAWN BY CHEN CHUN YUAN	DATE 21'05/12	
	CHECKED BY TSO I HUNG	DATE 21'05/12	
	APPROVED BY HUANG KUO HUA	DATE 21'05/12	SIZE A4
	UNITS mm		RFG NO. N/A
	SCALE 1:1	SHEET NO. 1 OF 2	REV A
			DWG NO. 52945-XXXXX-XXX



RECOMMEND EDGE CARD LAYOUT
 THICKNESS IS 1.57+/-0.13MM, DIMENSION TOLERANCE ±0.05MM

QUALITY SYMBOLS MAJOR CRITICAL GENERAL TOLERANCES (UNLESS SPECIFIED) X. ±0.5 .X ±0.25 .XX ±0.15 .XXX ±0.1 ANGLES ±2°	DRAWN BY: CHEN CHUN YUAN DATE: 21/05/12		 POWER CARD EDGE CONN.	
	CHECKED BY: TSO I HUNG DATE: 21/05/12			
APPROVED BY: HUANG KUO HUA DATE: 21/05/12		UNITS: mm	 SIZE: A4	RFQ NO.:
SCALE: 1:1		SHEET NO.: 2 OF 2	REV: A	DWG NO.: 52945-XXXX-XXX